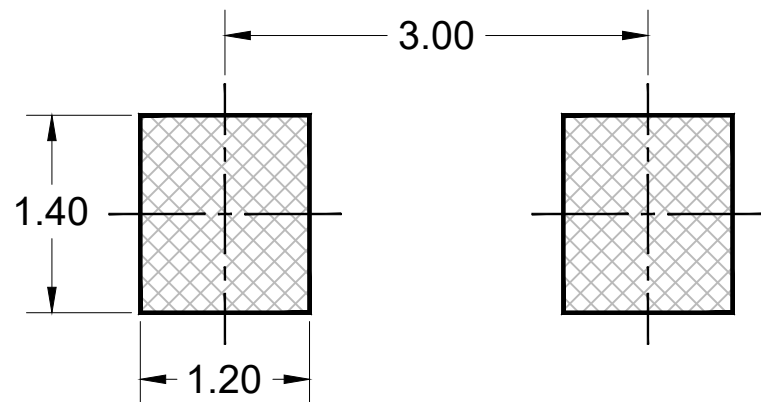
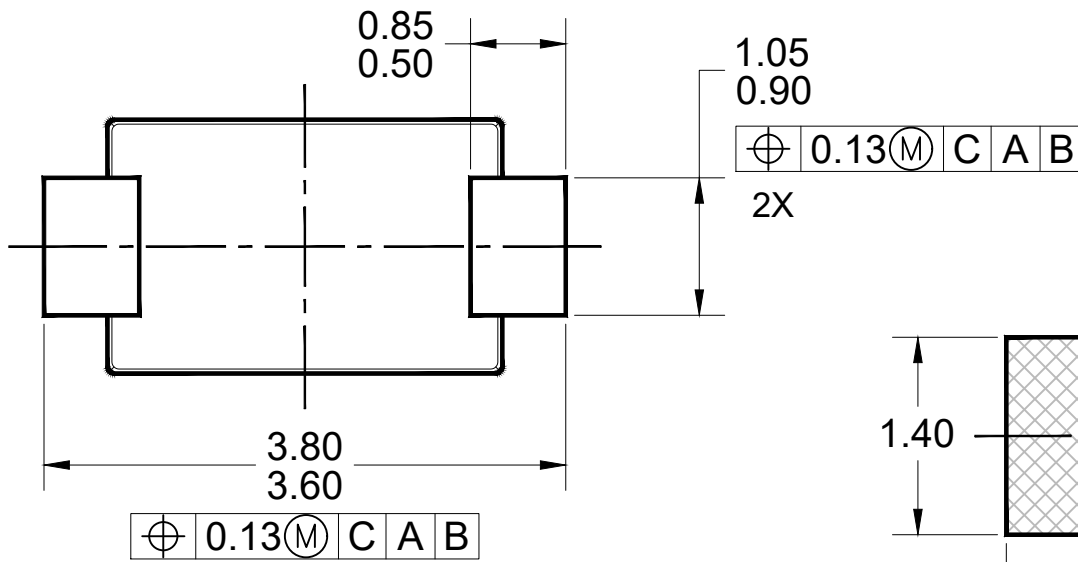
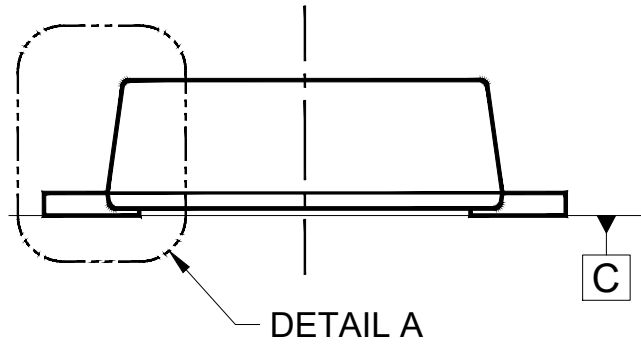


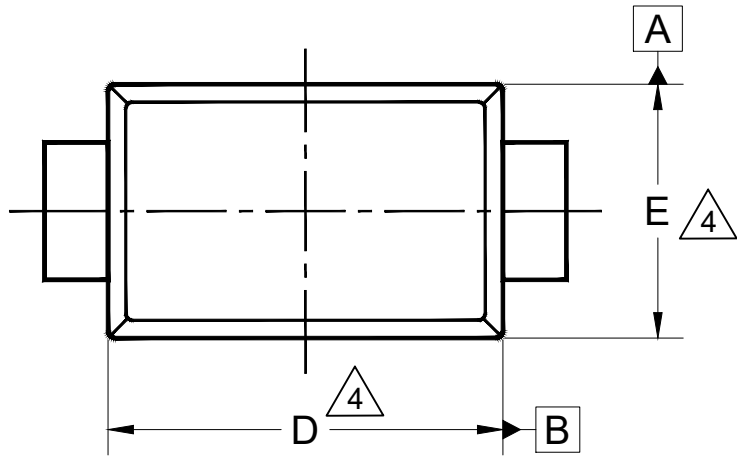
DETAIL A
(SCALE 2.5:1)



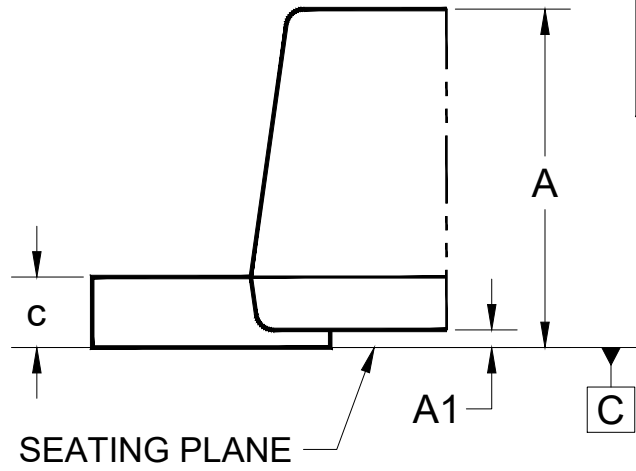
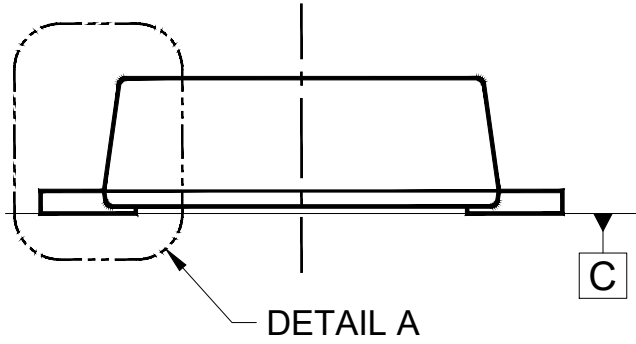
SUGGESTED PAD
LAYOUT

NOTES: UNLESS OTHERWISE SPECIFIED

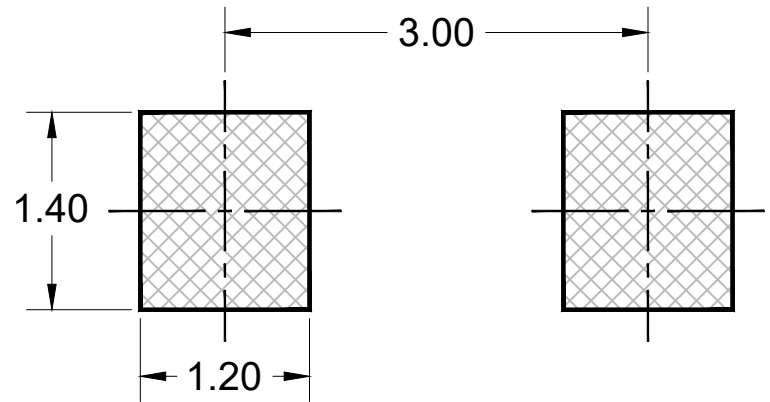
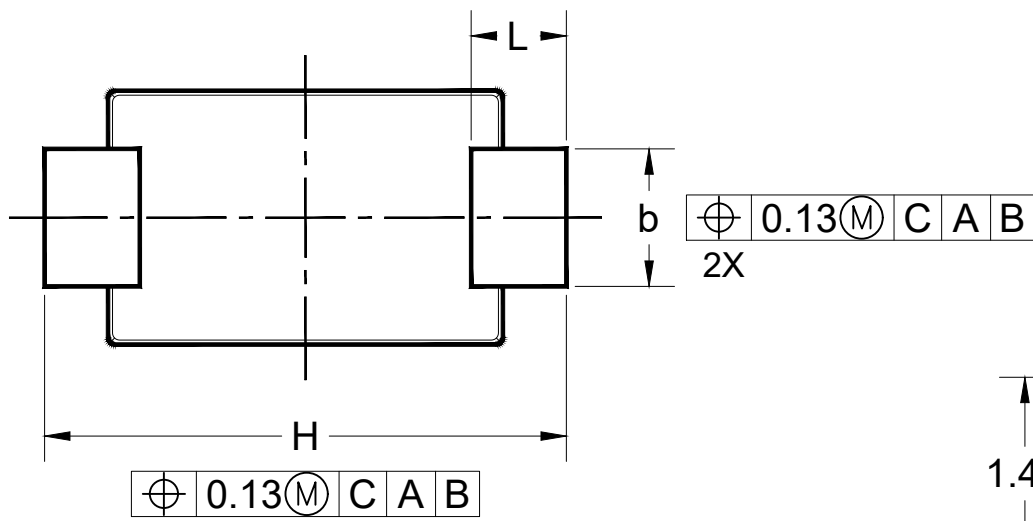
1. ALL DIMENSIONS ARE IN MILLIMETERS.
2. DIMENSIONING AND TOLERANCING PER ASME Y14.5M-2009.
3. PACKAGE OUTLINE REFERENCE:
JEDEC DO-219, VARIATION AB, ISSUE C.
4. MODIFIED PLASTIC BODY DIMENSIONS DO NOT INCLUDE MOLD FLASH.
5. DWG NO. REF: HQ2SD07-SOD123W-037 REV A.



DIM	Unit (mm)	
	Min	Max
A	0.90	1.02
A1	0.00	0.10
b	0.90	1.05
c	0.10	0.22
D	2.60	2.90
E	1.70	1.90
H	3.60	3.80
L	0.50	0.85



DETAIL A
(SCALE 2.5:1)

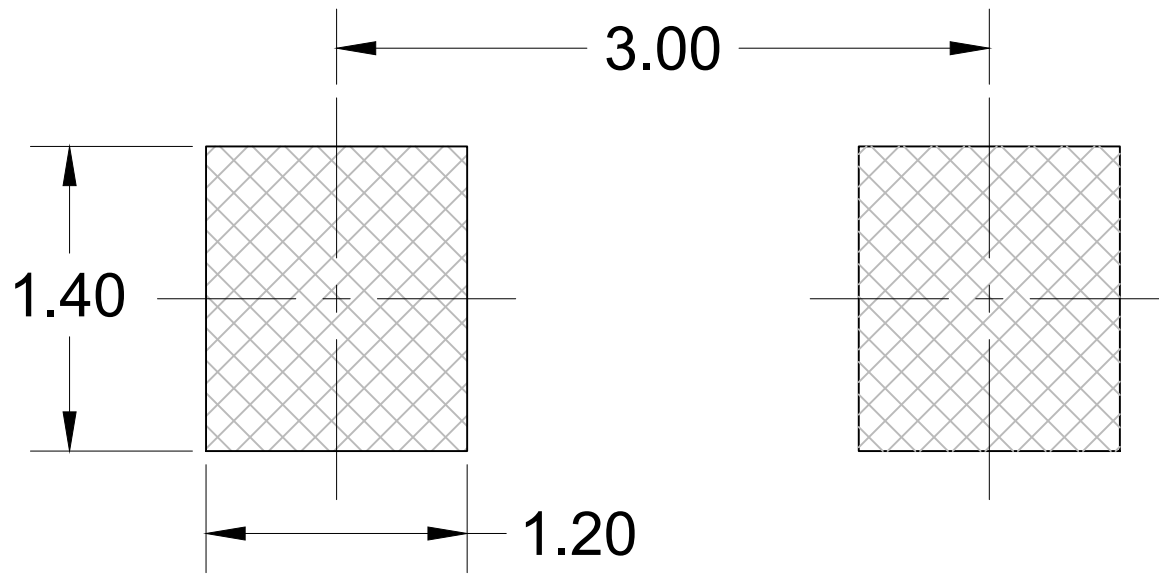


SUGGESTED PAD LAYOUT

NOTES: UNLESS OTHERWISE SPECIFIED

1. ALL DIMENSIONS ARE IN MILLIMETERS.
2. DIMENSIONING AND TOLERANCING PER ASME Y14.5M-2009.
3. PACKAGE OUTLINE REFERENCE: JEDEC DO-219, VARIATION AB, ISSUE C.
4. DIMENSIONS D AND E DO NOT INCLUDE MOLD FLASH.
5. DWG NO. REF: HQ2SD07-SOD123W-037 REV A.

CLEARANCE REVIEW OF SCALED UNIT OVERLAY ON TOP OF PAD LAYOUT, 2LD SOD-123W



PAD LAYOUT

